

User Manual

ORION LuxorLight

[ORFX2]

Product Description

The ORFX2 uses six 3W LEDs (2 red, 2 green, 2 blue) to produce colorful lighting and strobe effects suitable for parties and small entertainment venues. The fixture can be operated in either Auto mode, or Audio mode with adjustable sound sensitivity.

Warnings

- For indoor use only
- Use with a grounded mains power supply
- Locate on a flat surface away from excessive moisture and vibration.
- Caustic chemicals or liquids can cause damage to the housing.
- Operating temperature: below 40°C
- Do not remove or break the warranty label.
- Do not disassemble the fixture yourself. Please consult a professional technician for service and repair.

Specifications

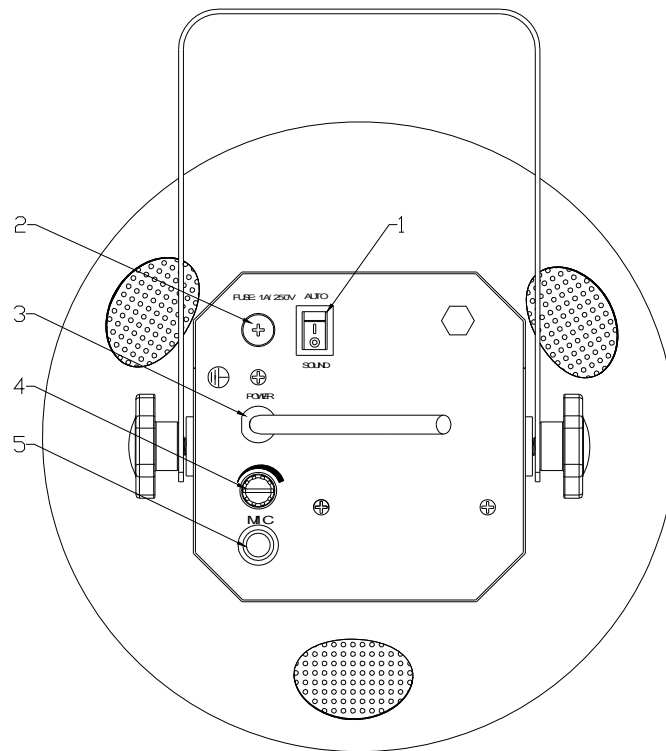
Power voltage:	AC220V 50HZ
Power:	20W
Operating modes:	Auto, Audio
Light Source:	6x 3W LEDs (2 red, 2 green, 2 blue)
Weight :	3.7 KG
Size:	378mm x 316mm x 270mm

Operation

Set the back panel mode switch to Auto or Sound.

- In Auto mode the fixture will run.
- In Sound mode the fixture's lighting effects are controlled by external audio input. Set the audio input sensitivity using the back panel Sound Potentiometer.

Back Panel



1. Switch (Auto/Audio mode)
2. Fuse
3. Power Cable
4. Sound Potentiometer (to adjust sound sensitivity)
5. Microphone