

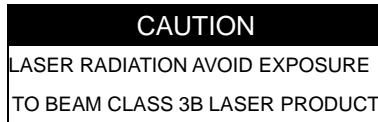
User Manual

ORION UniBeam (Red)

[ORLASER6]

Warnings

- For indoor use only.
- Use with a grounded mains power supply.
- Locate on a flat surface away from moisture and vibration.
- Caustic chemicals or liquids can cause damage to the housing.
- Operating temperature: < 40°C
- Continuous use for more than 4 hours may shorten the product's lifespan.
- Use cleaning tissue to remove dust on the lenses to optimize light output.
- Do not remove or break the warranty label.
- Do not disassemble the fixture yourself. Please consult a qualified technician for service and repair.



Fuse Replacement:

Disconnect the unit from the mains power supply. Unscrew the fuse holder with a flat head screwdriver. Remove the old fuse and replace it with the same type of fuse.

CAUTION: Always replace with the correct type of fuse – anything other than the specified fuse can cause fire or electric shock, damage your unit, and void your warranty.

Specifications

Power voltage:	AC220 V/ 50 HZ
Power:	20W.
Laser Wavelength:	650nm, Red Laser Power: 80mw
Stepper motor,	X/Y scanning
	More than 60 graphics and 200 effects
Operating modes:	Sound Active, Auto.
Net weight:	3 KG
Size:	237mm x 176mm x 162 mm

Operation

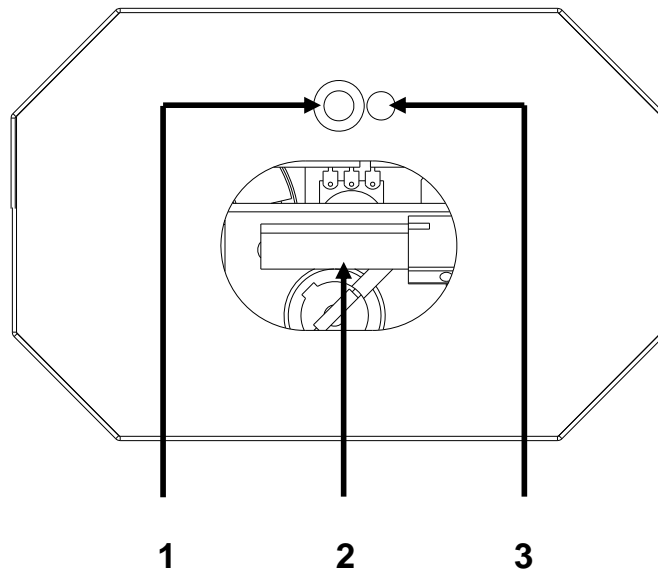
Sound Active Mode

- Switch to Sound Active mode and turn the unit on.
- Turn the sensitivity knob clockwise direction to increase the fixture's response to sound.
- The laser will automatically turn off 7 seconds after the music stops.

AUTO Mode

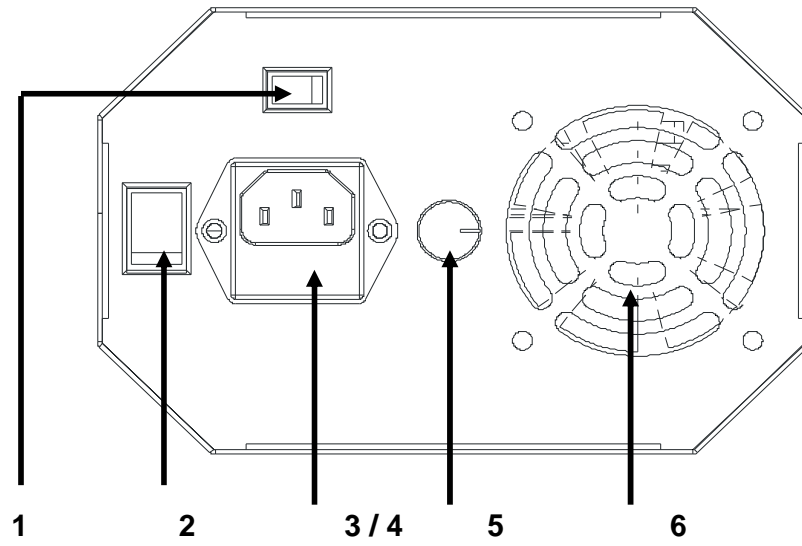
- Switch to AUTO mode and turn the unit on.
- The built-in programs will automatically cycle without external control. AUTO mode has no laser OFF function.

Front panel:



1. Sound Active microphone
2. Aperture
3. Power indicator: red

Rear Panel:



1. Mode switch
4. Fuse

2. Power switch
5. Sound sensitivity knob

3. Power cable
6. Cooling fan