

User Manual

ORION LED PAR64 (Can)

[ORLED64C]

Introduction

With 163 power efficient red, green, and blue LEDs, the LEDPAR64C is a cost effective, easy to operate lighting fixture suitable for a wide range professional and recreational installations.

Warnings

- For indoor use only
- Caustic chemicals or liquids can cause damage to the housing.
- Operating temperature: up to 40°C
- Do not try to disassemble the fixture yourself. Consult a professional technician for service and repair.

Specifications

- Voltage: AC110-120V 60Hz
- Fuse: 125V 1A
- Power: 12.7 W
- Light Source: 163 LEDs (55 red, 54 green, 54 blue)
- Operating modes: DMX, audio, auto, hand, self-connecting.
- Connector: DMX 3-pin XLR
- Weight: 2.0 KG
- Size: L260mm x W260mm x H320mm

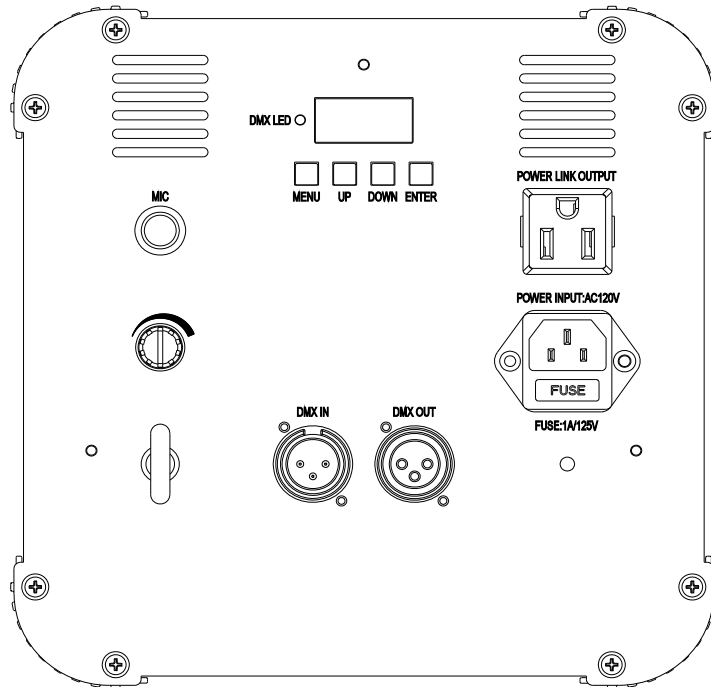
Power hookup

Up to ten LED PAR64 lighting fixtures can be daisy chained to each other in series using the Power Link input and output connectors.

Operation

The LED PAR64 can be used in the following operating modes:

1. Audio - Controlled by sound input
2. Auto - Controlled internally
3. Hand - Does not respond to external control
4. DMX - Controlled by external DMX data

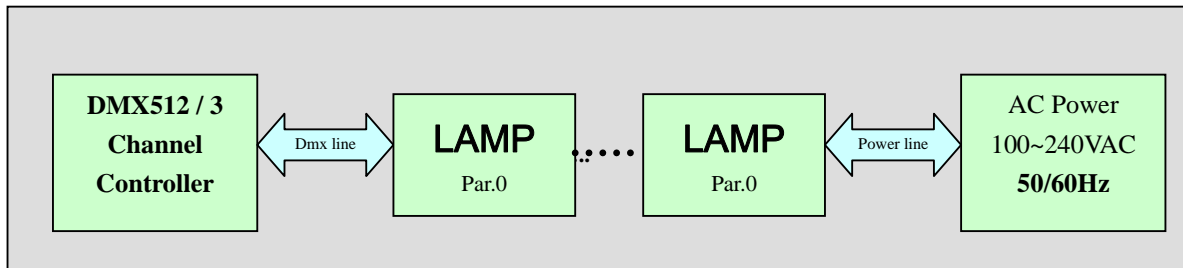


Display and Functions

When turned on, the ePAR64 automatically enters DMX mode. The functions and LED display text are as follows:

| "MENU" | | ENTER | UP | DOWN | ENTER |
|--------|---------|-------|----------------------------------|----------------------------------|-------|
| Mode | Display | | | | |
| DMX | A*** | Save | A.001 - A.512 (DMX address) | A.001 - A.512 (DMX address) | Save |
| | | | Par.0-Par.4 (Lamp series) | Par.4-Par.0 (Lamp series) | |
| Auto | AP** | | AP01-AP17 (Mode Program) | AP17-AP01 (Mode Program) | |
| | | | F/S.00-F.008 (Strobe) | F/S.008-F.000 (Strobe) | |
| Hand | COLO | | r.000-r.008 (Red) | r.008-r.000 (Red) | |
| | | | g.000-g.008 (Green) | g.008-g.000 (Green) | |
| | | | b.000-b.008 (Blue) | b.008-b.000 (Blue) | |
| | | | S.000-S.008 (Strobe speed) | S.008-S.000 (Strobe speed) | |
| Audio | SOUN | | | | |

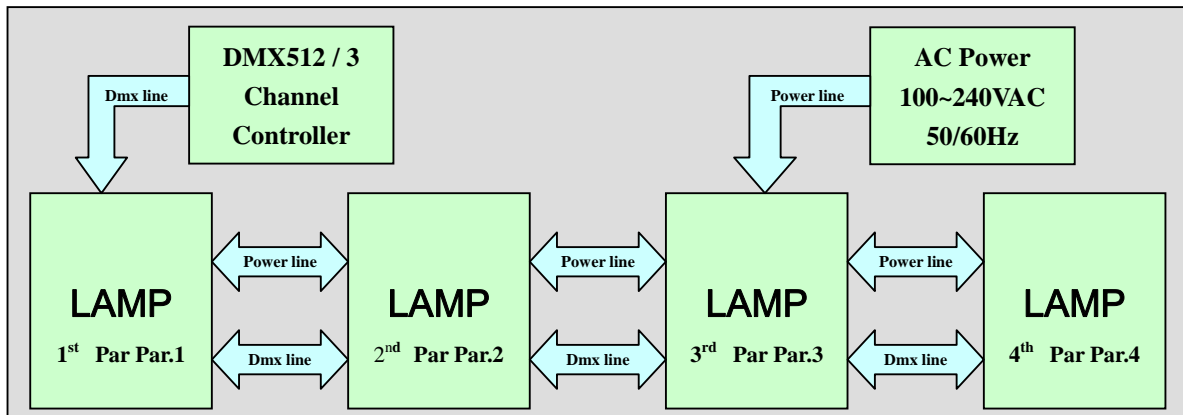
DMX channel parameters (single PAR setup)



| DMX Channel | Function | DMX512 Volume | Description |
|-------------|-----------------------------------|---------------|---|
| CH1 | Adjust the red brightness | 000 ~ 255 | Adjust the total brightness of red LED to 0% ~ 100% |
| CH2 | Adjust the green brightness | 000 ~ 255 | Adjust the total brightness of green LED to 0% ~ 100% |
| CH3 | Adjust the blue brightness | 000 ~ 255 | Adjust the total brightness of green LED to 0% ~ 100% |
| CH4 | Adjust strobe /color-fading speed | 000 ~ 015 | No strobe |
| | | 016 ~ 255 | Strobe speed (slow to fast). |
| CH5 | Mode | 000 ~ 030 | DMX mode (CH1, CH2, CH3, CH4, CH6) |
| | | 031 ~ 080 | Color-fading (CH1/CH2/CH3 >10) |
| | | 081 ~ 120 | Auto-change colors |
| | | 121 ~ 160 | Auto color-fading |
| | | 161 ~ 200 | R->G->B |

| | | | |
|-----|----------------------|--------------|-------------------------------------|
| | | 201 ~ 255 | Audio mode |
| CH6 | RGB total brightness | 000 ~ 255 | Brightness:100% ~ 0 (when CH4 < 15) |

DMX channel parameters (four PAR setup):



| DMX Channel | Function | DMX Volume | Description |
|-------------|----------|------------|---------------------------------|
| CH1 | Mode 01 | 000 ~ 009 | RGB color adjustment CH2 ~ CH15 |
| | Mode 02 | 010 ~ 029 | Run built-in program, CH3>15 |
| | Mode 03 | 030 ~ 049 | Run built-in program 02, CH3>15 |
| | Mode 04 | 050 ~ 069 | Run built-in program 03, CH3>15 |
| | Mode 05 | 070 ~ 089 | Run built-in program 04, CH3>15 |
| | Mode 06 | 090 ~ 109 | Run built-in program 05, CH3>15 |
| | Mode 07 | 110 ~ 129 | Run built-in program 06, CH3>15 |
| | Mode 08 | 130 ~ 149 | Run built-in program 07, CH3>15 |
| | Mode 09 | 150 ~ 169 | Run built-in program 08, CH3>15 |
| | Mode 10 | 170 ~ 189 | Run built-in program 09, CH3>15 |

| | | | |
|------|-------------------|-----------|---|
| | Mode 11 | 190 ~ 209 | Run built-in program 10 , CH3>15 |
| | Mode 12 | 210 ~ 229 | Run built-in program 11 , CH3>15 |
| | Mode 13 | 230 ~ 239 | Run built-in program 12 , CH3>15 |
| | Mode 14 | 240 ~ 255 | Audio mode |
| CH2 | RGB Dimmer | 000 ~ 255 | Brightness:0% ~ 100% |
| CH3 | Strobe speed | 000 ~ 015 | No strobe/run speed |
| | | 016 ~ 255 | Strobe/run speed from slow to fast |
| CH4 | red brightness | 000 ~ 255 | First red LED Brightness: 0% ~ 100%. |
| CH5 | green rightness | 000 ~ 255 | First green LED Brightness: 0% ~ 100%. |
| CH6 | blue rightness | 000 ~ 255 | First blue LED Brightness: 0% ~ 100%. |
| CH7 | the red rightness | 000 ~ 255 | Second red LED Brightness: 0% ~ 100%. |
| CH8 | green rightness | 000 ~ 255 | Second green LED Brightness: 0% ~ 100%. |
| CH9 | blue rightness | 000 ~ 255 | Second blue LED Brightness: 0% ~ 100%. |
| CH10 | red brightness | 000 ~ 255 | Third red LED Brightness: 0% ~ 100%. |
| CH11 | green rightness | 000 ~ 255 | Third green LED Brightness: 0% ~ 100%. |
| CH12 | blue rightness | 000 ~ 255 | Third blue LED Brightness: 0% ~ 100%. |
| CH13 | red brightness | 000 ~ 255 | Fourth red LED Brightness: 0% ~ 100%. |
| CH14 | green rightness | 000 ~ 255 | Fourth green LED Brightness: 0% ~ 100%. |
| CH15 | blue rightness | 000 ~ 255 | Fourth blue LED Brightness: 0% ~ 100%. |