

User Manual

ORION LED PAR64 (Flat)

[ORLED64F]

Introduction

With 168 power efficient red, blue and green LEDs, the ePAR64 lighting fixture is a cost effective, easy to operate lighting effect suitable for a wide range recreational and professional installations.

Warnings

- For indoor use only.
- Caustic chemicals or liquids can cause damage to the housing.
- Operating temperature: < 40°C
- Do not try to disassemble the fixture yourself. Please consult a qualified technician for service and repair.

Specifications

- Voltage: AC110-120V 60Hz
- Fuse: 125V 1A
- Power: 14.4W
- Light Source: 168 LEDs (60 red, 54 green, 54 blue)
- Operating modes: DMX, audio, auto, hand, self-connecting.
- Connector: DMX (3-pin XLR connector)
- Weight: 2.3KG
- Size: L302mm x W96mm x H264mm

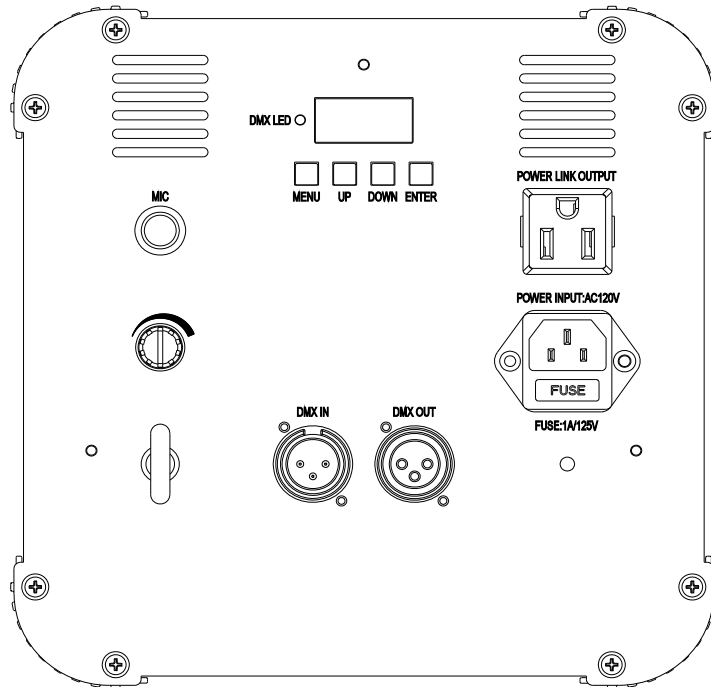
Power hookup

Up to ten LEDPAR64F lighting fixtures can be daisy chained with the Power Link connectors.

Operation

The LEDPAR64F can be used in the following operating modes:

1. Audio - Controlled by sound input
2. Auto - Controlled internally
3. Hand - Does not respond to external control
4. DMX - Controlled by external DMX data

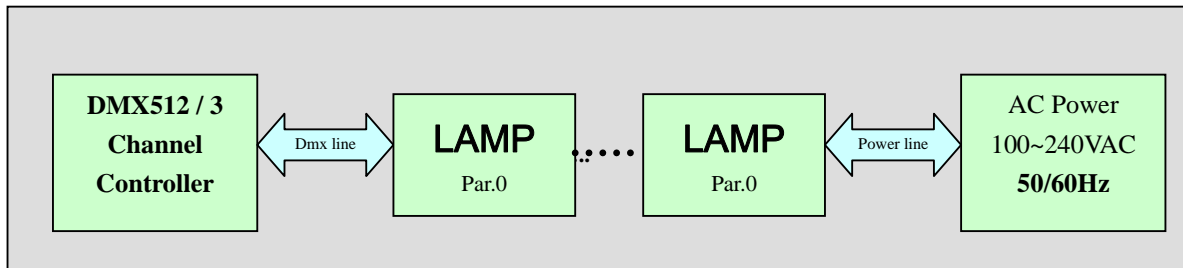


Display and Functions

When turned on, the LEDPAR64F automatically enters DMX mode. The functions and LED display text are as follows:

"MENU"		ENTER	UP	DOWN	ENTER
Mode	Display				
DMX	A***		A.001 - A.512 (DMX address)	A.001 - A.512 (DMX address)	
			Par.0-Par.4 (Lamp series)	Par.4-Par.0 (Lamp series)	
Auto	AP**		AP01-AP17 (Mode Program)	AP17-AP01 (Mode Program)	
			F/S.00-F.008 (Strobe)	F/S.008-F.000 (Strobe)	
Hand	COLO		r.000-r.008 (Red)	r.008-r.000 (Red)	
			g.000-g.008 (Green)	g.008-g.000 (Green)	
			b.000-b.008 (Blue)	b.008-b.000 (Blue)	
			S.000-S.008 (Strobe speed)	S.008-S.000 (Strobe speed)	
Audio	SOUN				

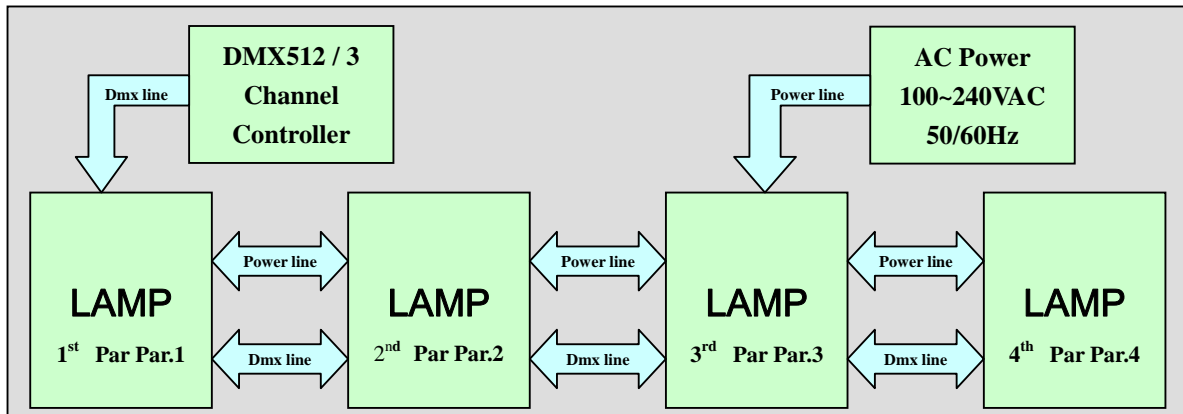
DMX channel parameters, one PAR setup



DMX Channel	Function	DMX512 Volume	Description
CH1	Adjust the red brightness	000 ~ 255	Adjust the total brightness of red LED to 0% ~ 100%
CH2	Adjust the green brightness	000 ~ 255	Adjust the total brightness of green LED to 0% ~ 100%
CH3	Adjust the blue brightness	000 ~ 255	Adjust the total brightness of green LED to 0% ~ 100%
CH4	Adjust strobe /color-fading speed	000 ~ 015	No strobe
		016 ~ 255	Strobe speed (slow to fast).
CH5	Mode	000 ~ 030	DMX mode (CH1, CH2, CH3, CH4, CH6)
		031 ~ 080	Color-fading (CH1/CH2/CH3 >10)
		081 ~ 120	Auto-change colors
		121 ~ 160	Auto color-fading
		161 ~ 200	R->G->B

		201 ~ 255	Audio mode
CH6	RGB total brightness	000 ~ 255	Brightness:100% ~ 0 (when CH4 < 15)

DMX channel parameters, four PAR setup:



DMX Channel	Function	DMX Volume	Description
CH1	Mode 01	000 ~ 009	RGB color adjustment CH2 ~ CH15
	Mode 02	010 ~ 029	Run built-in program, CH3>15
	Mode 03	030 ~ 049	Run built-in program 02, CH3>15
	Mode 04	050 ~ 069	Run built-in program 03, CH3>15
	Mode 05	070 ~ 089	Run built-in program 04, CH3>15
	Mode 06	090 ~ 109	Run built-in program 05, CH3>15
	Mode 07	110 ~ 129	Run built-in program 06, CH3>15
	Mode 08	130 ~ 149	Run built-in program 07, CH3>15
	Mode 09	150 ~ 169	Run built-in program 08, CH3>15
	Mode 10	170 ~ 189	Run built-in program 09, CH3>15
	Mode 11	190 ~ 209	Run built-in program 10, CH3>15
	Mode 12	210 ~ 229	Run built-in program 11, CH3>15

	Mode 13	230 ~ 239	Run built-in program 12 , CH3>15
	Mode 14	240 ~ 255	Audio mode
CH2	RGB Dimmer	000 ~ 255	Brightness:0% ~ 100%
CH3	Strobe speed	000 ~ 015	No strobe/run speed
		016 ~ 255	Strobe/run speed from slow to fast
CH4	red brightness	000 ~ 255	First red LED Brightness: 0% ~ 100%.
CH5	green rightness	000 ~ 255	First green LED Brightness: 0% ~ 100%.
CH6	blue rightness	000 ~ 255	First blue LED Brightness: 0% ~ 100%.
CH7	the red rightness	000 ~ 255	Second red LED Brightness: 0% ~ 100%.
CH8	green rightness	000 ~ 255	Second green LED Brightness: 0% ~ 100%.
CH9	blue rightness	000 ~ 255	Second blue LED Brightness: 0% ~ 100%.
CH10	red brightness	000 ~ 255	Third red LED Brightness: 0% ~ 100%.
CH11	green rightness	000 ~ 255	Third green LED Brightness: 0% ~ 100%.
CH12	blue rightness	000 ~ 255	Third blue LED Brightness: 0% ~ 100%.
CH13	red brightness	000 ~ 255	Fourth red LED Brightness: 0% ~ 100%.
CH14	green rightness	000 ~ 255	Fourth green LED Brightness: 0% ~ 100%.
CH15	blue rightness	000 ~ 255	Fourth blue LED Brightness: 0% ~ 100%.