

# User Manual

**ORION OmniBeam**

**[ORFX1]**

## Product Description

The ORFX1 uses six 3in1 3W RGB LEDs to produce colorful lighting changes and strobe effects suitable for parties and entertainment venues. The fixture can be operated in either Auto mode, or Audio mode with adjustable sound sensitivity.

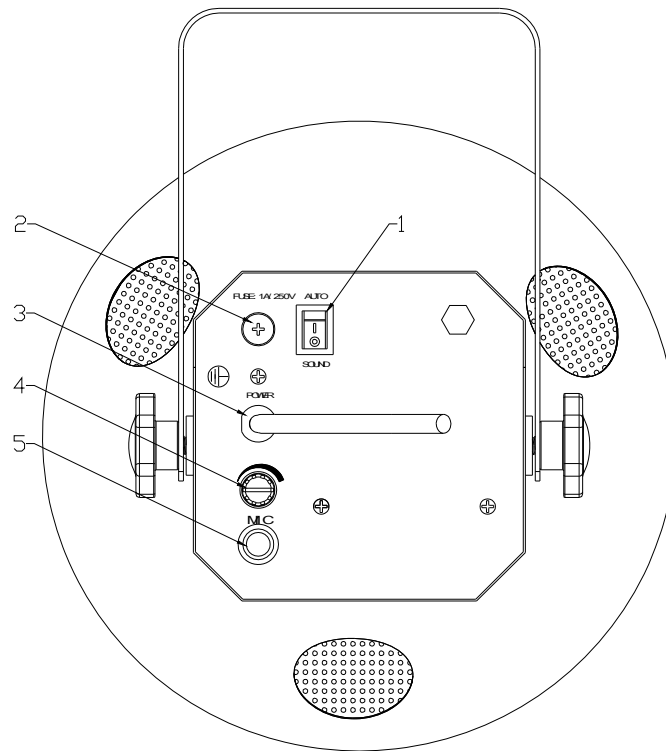
## Warnings

- For indoor use only
- Use with a grounded A/C mains power supply
- Locate on a flat surface away from moisture and vibration.
- Caustic chemicals or liquids can cause damage to the housing.
- Operating temperature: < 40°C
- Do not remove or break the warranty label.
- Do not disassemble the fixture yourself. Please consult a qualified technician for service and repair.

## Specifications

Power voltage:	AC110V 60HZ/220V 50HZ
Fuse	2A/125V,1A/250V
Power output:	30W
Operating modes:	Auto, Audio
Light Source:	6 x 3W RGB 3in1 LED
Weight :	4.2 KG
Size:	415mm x 268mm x 313mm

## Back Panel



1. Switch (Auto/Audio mode)
2. Fuse
3. Power Cable
4. Sound Potentiometer (to adjust sound sensitivity)
5. Microphone